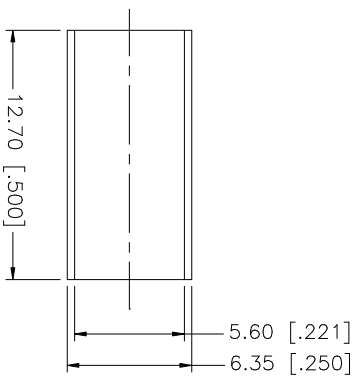
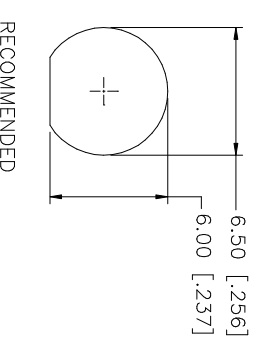
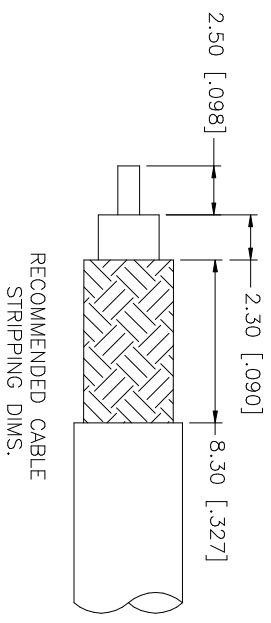
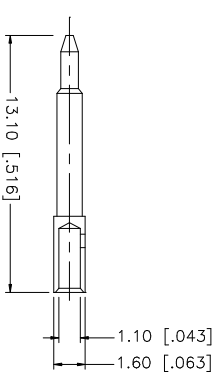
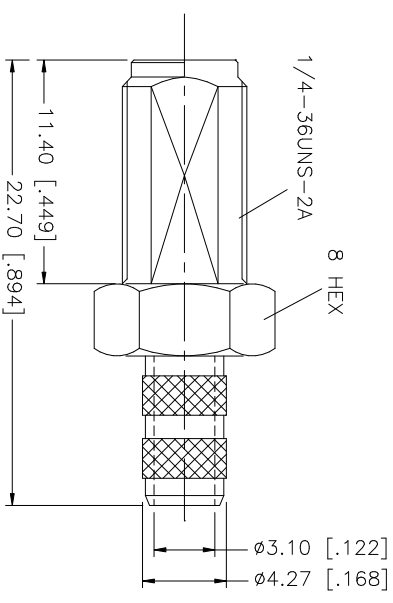
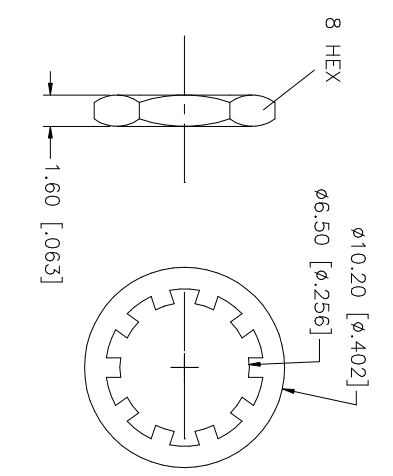


REV.	DATE	DESCRIPTION
NC	08/01/05	INITIAL RELEASE



RECOMMENDED CABLE STRIPPING DIMS.

RECOMMENDED MOUNTING HOLE

Amphenol Connex

PART DESCRIPTION
SMA REVERSE POLARITY BULKHEAD CRIMP JACK
 (FOR RG-55, 142, 223, 400/U CABLE)

PART NO. 132191RP

QTY	FINISH	MATERIAL	DESCRIPTION
1	GOLD	BRASS	BODY
1	NATURAL	TEFLON	INSULATOR
1	GOLD	BRASS	CONTACT PIN
1	GOLD	BRASS	LOCK WASHER
1	GOLD	BRASS	HEX NUT
1	GOLD	COPPER	FERRULE

UNLESS OTHERWISE SPECIFIED DIMENSIONS ARE IN INCHES AND FOR CUSTOMER REFERENCE ONLY.

UNLESS OTHERWISE SPECIFIED TOLERANCES FOR MILLIMETERS ARE:

0.5 - 8mm ± 0.20mm
 8 - 30mm ± 0.40mm
 30 - 120mm ± 0.50mm

UNLESS OTHERWISE SPECIFIED TOLERANCES FOR INCHES ARE:

.020 - .315 = ± 0.007"
 .315 - 1.180 = ± 0.015"
 1.180 - 4.724 = ± 0.020"

DO NOT SCALE DRAWING

APPROVALS

DATE

08/01/05

G.R.S.

CHECKED

ISSUED

SHEET 1 OF 1

CAD FILE C:/132/132191RP.DWG

DWG. NO. 132191RP.DWG

REV. NC SIZE A SCALE NA